

The Jaybilizer 3000 Camera Stabilizer parts list:



Crawford 2-in-1 Combination 8- to 10-Inch Shelf Bracket and Tool Hanger #HH2N1 \$10.99
<http://amazon.com/>



JTL Mini Table Top Tripod with Adjustable Ball Head & Case, Black. 6.95 <http://www.adorama.com/>



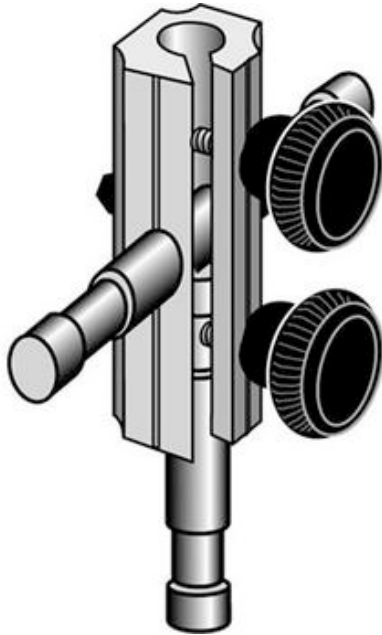
or Giottos MH1004 Mini Ball Head with Single Knob for Ball and Pan 12.95 <http://www.adorama.com/>



an dCamGrip 7.50 <http://www.adorama.com/>



Diamondback Bmx Flanged Team Grip \$7.49 Amazon.com

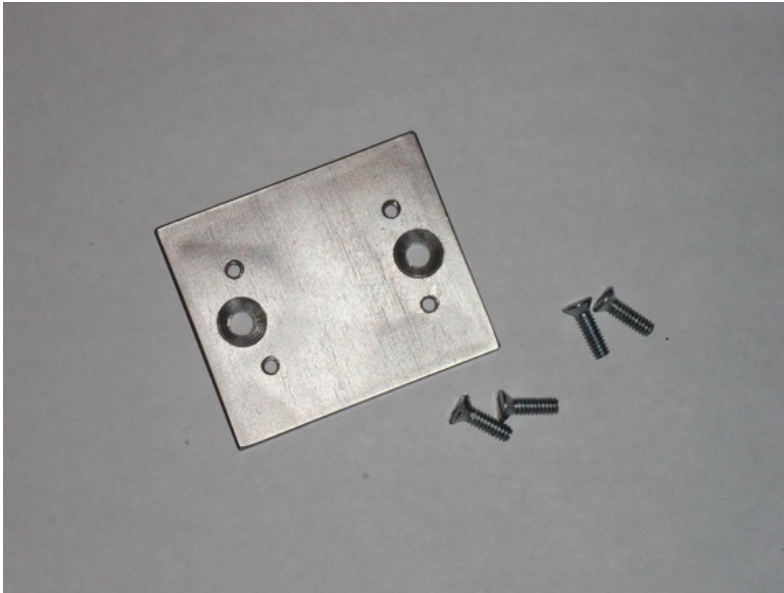


Lowel Interlink \$22.50 <http://www.adorama.com/>



Manfrotto 3273 Rapid Connect Adapter w/Sliding Mounting Plate (3272) by Bogen

\$43.95 <http://www.adorama.com/>



Custom Aluminum Bridge Plate \$15 +S&H from <http://jayshaffervideo.com/products/>

Hardware:

3- 1 1/2" Panhead 14"-20 Machine screws @ \$.15 ea

1- 3.5" Panhead 14"-20 Machine screw @ \$.38 ea

1/4"-20 nuts and wing nuts \$.05 ea.

25- 1/4" X 1 1/2" fender washers. @ \$.15 ea